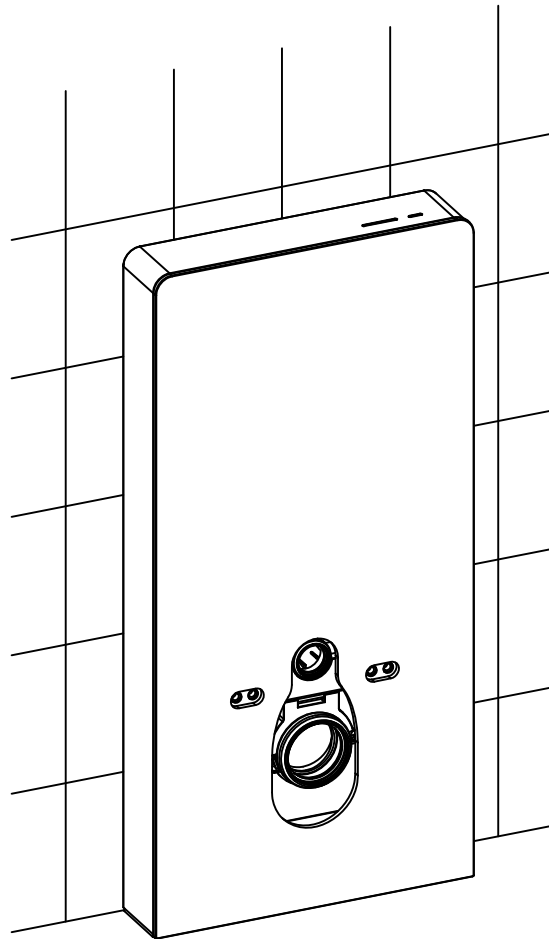


Installation Instruction



























Model No: CJ805W+CJ203

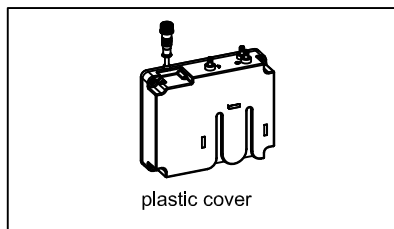
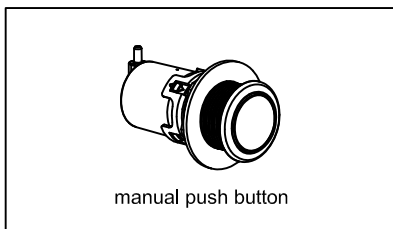
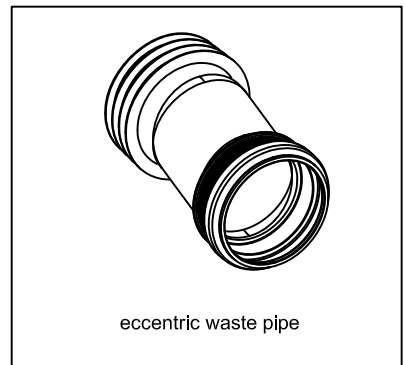
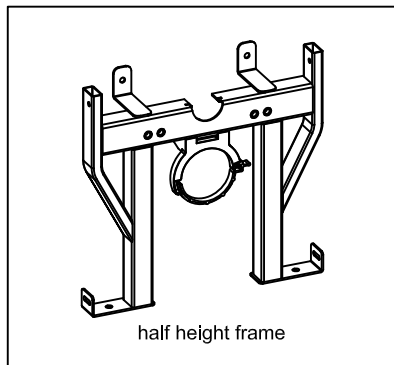
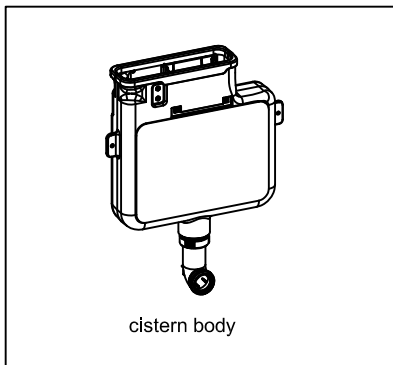
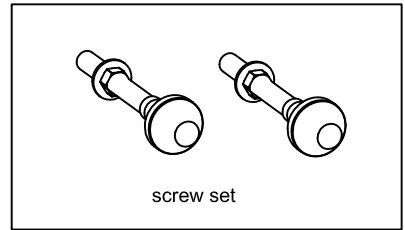
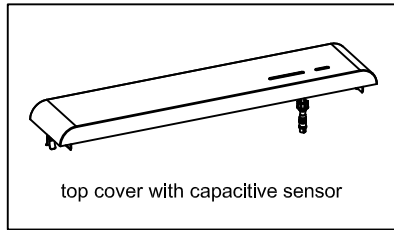
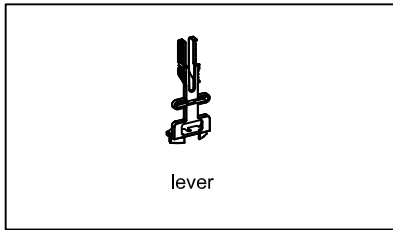
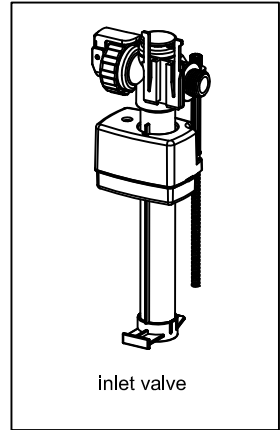
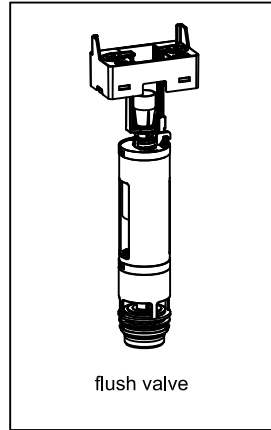
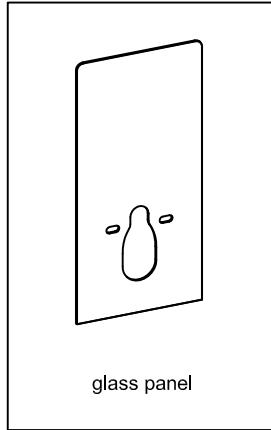
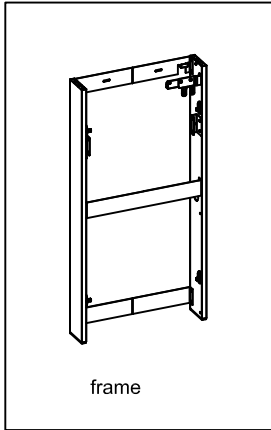
Content

- Accessories List 2
- Technical Specifications 4
- Technical drawing 5
- Cistern installation 6
- Maintenance & daily care 16

Accessories List

Accessories	Names	Specification	Quantity	Accessories	Names	Specifications	Quantity
	rubber seal	Ø110	1		expansion nut	SX10 Ø6-8	2
	straight drainage pipe		1		screw	ST6.8*67	2
	drainage pipe connector		1		washer	Ø22*2.0	2
	eccentric pipe		1		M12 bolt		2
	rubber seal		1		decorative cap		2
	transparent air hose	transparent L:350mm	1		M12 nut		2
	blue air hose	blue L:300mm	1		big washer	Ø32.5*2.5	2
	transparent air hose	transparent L:650mm	1		rubber sleeve		2
	flush pipe		1		decorative cap base		2
	rubber seal on flush pipe	Ø60	1		Steel bolts		2
	expansion nut	8*40	2		washer	Ø11*1.2	2
	screw	ST4.8*45	2		toilet mat		1

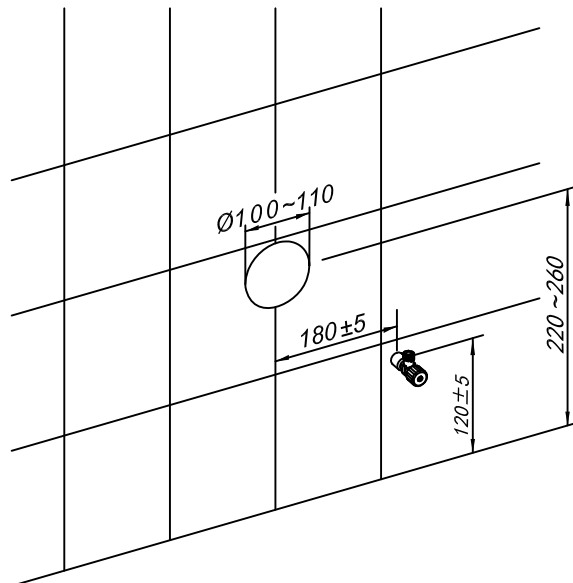
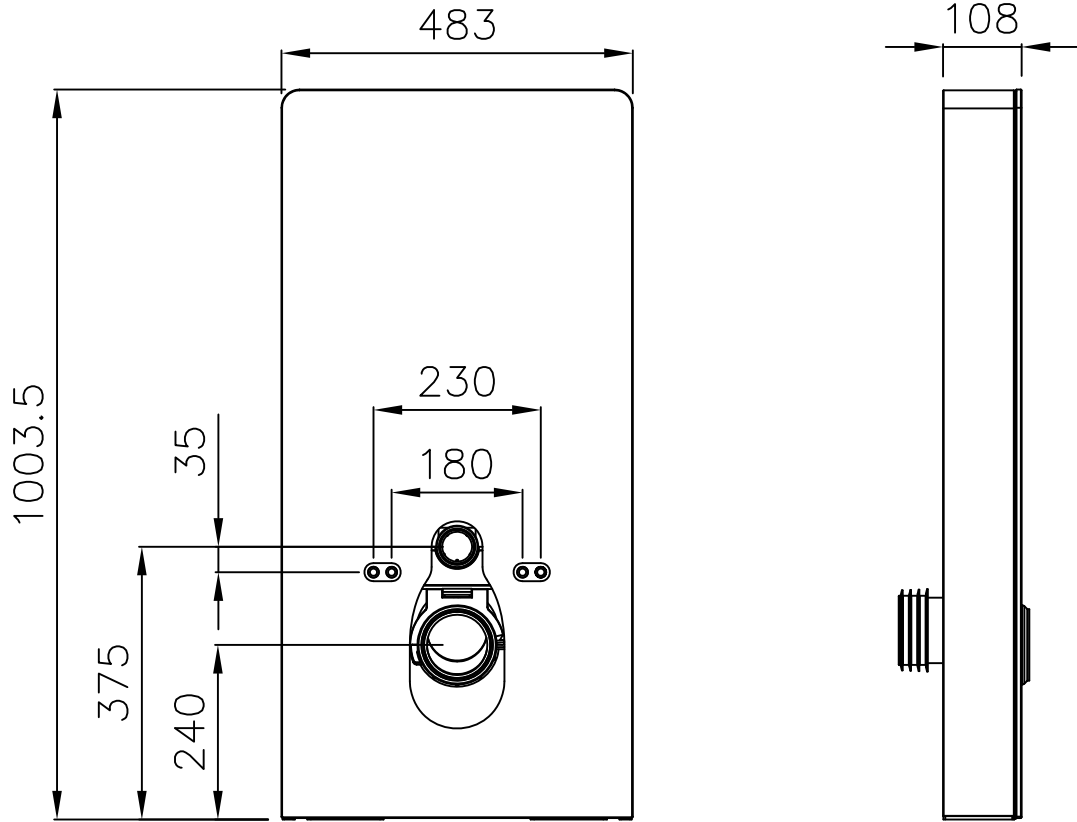
Parts list



Technical Specification

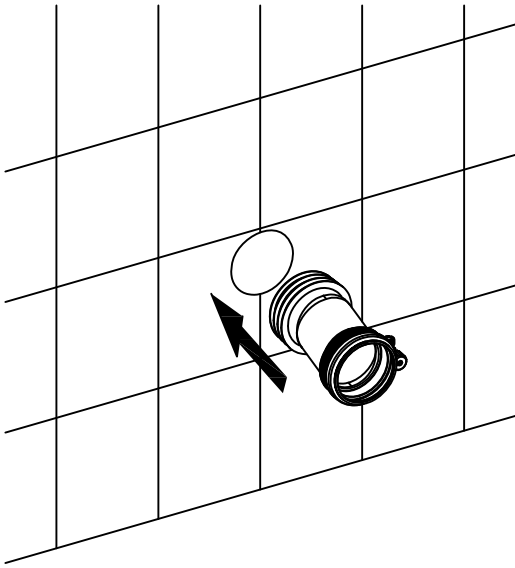
name	Cabinet cistern with capacitive sensor touchless flushing for wall-hung WC	
model	CJ805W+CJ203	
Technical Specification	rated voltage	220V AC,50HZ
	ambient temperature	3~40°C
	water supply pressure	0.07~0.75MPa
	water supply temperature	4~35°C
	waterproof rating	IPX4
	dimension	1003.5mm X 483mm X 108mm

Technical drawing



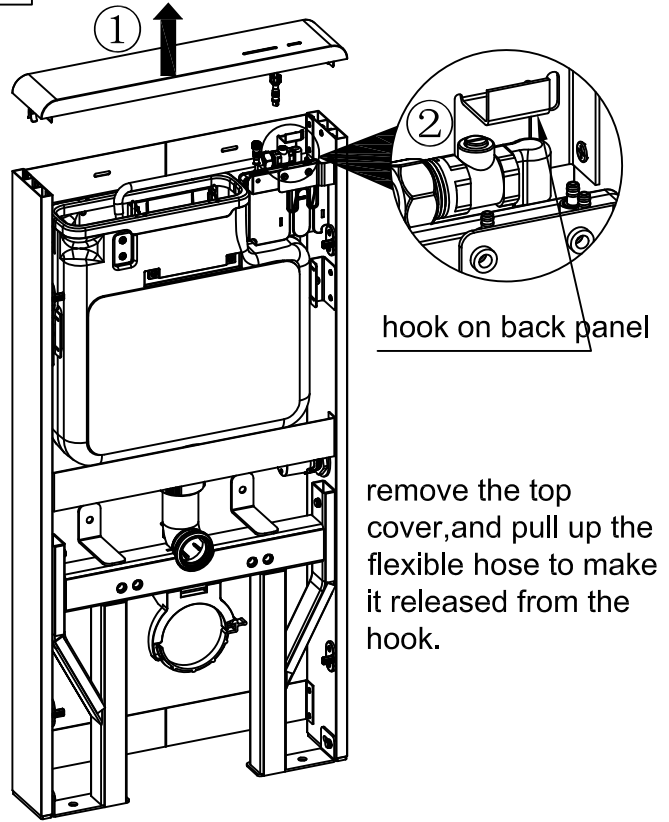
1

Cistern installation



insert the drainage pipe into the drainage hole on the wall

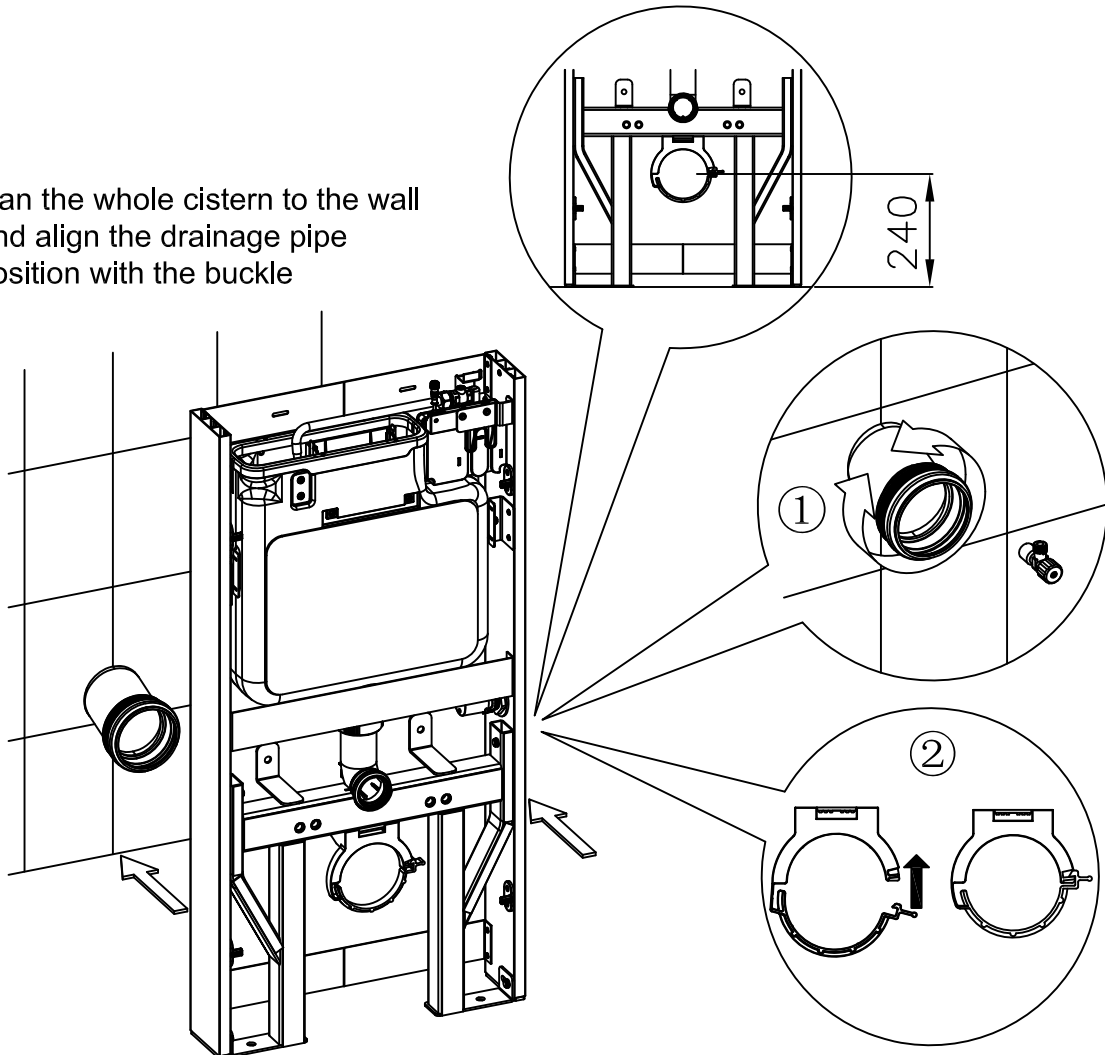
2

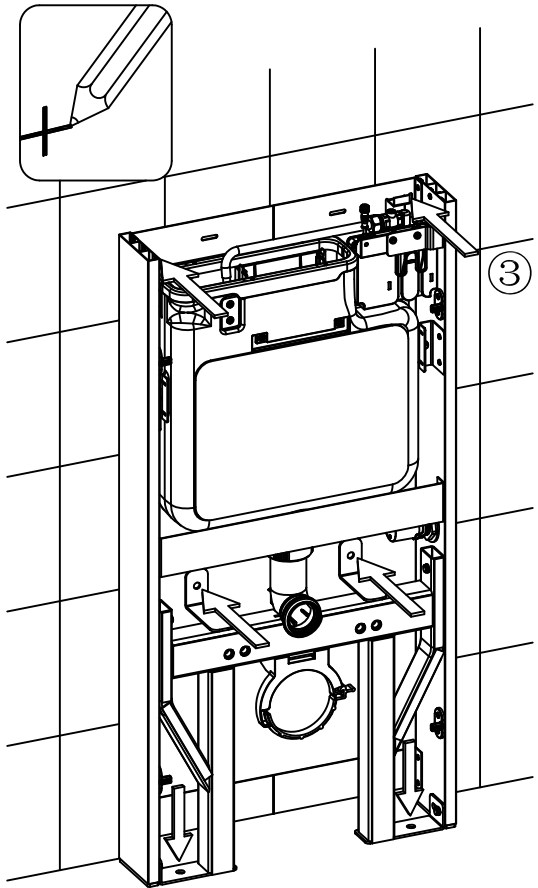


remove the top cover, and pull up the flexible hose to make it released from the hook.

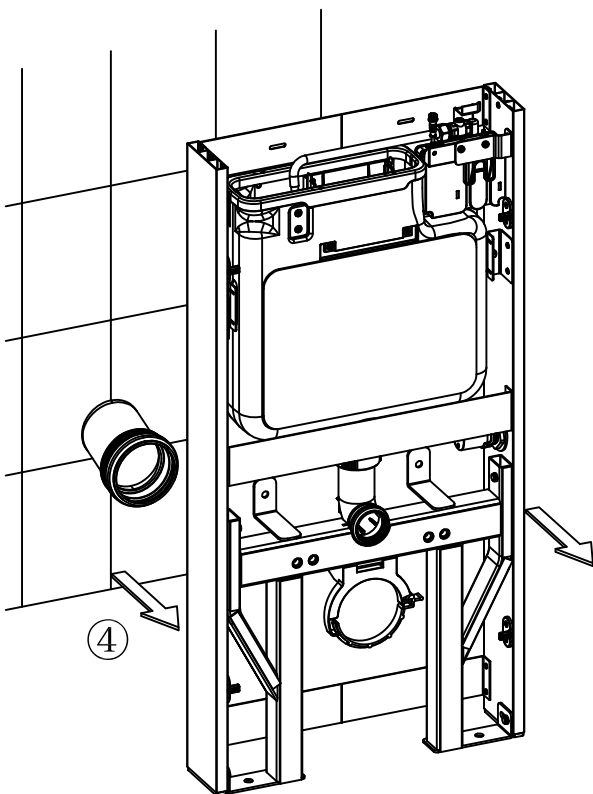
3

lean the whole cistern to the wall and align the drainage pipe position with the buckle

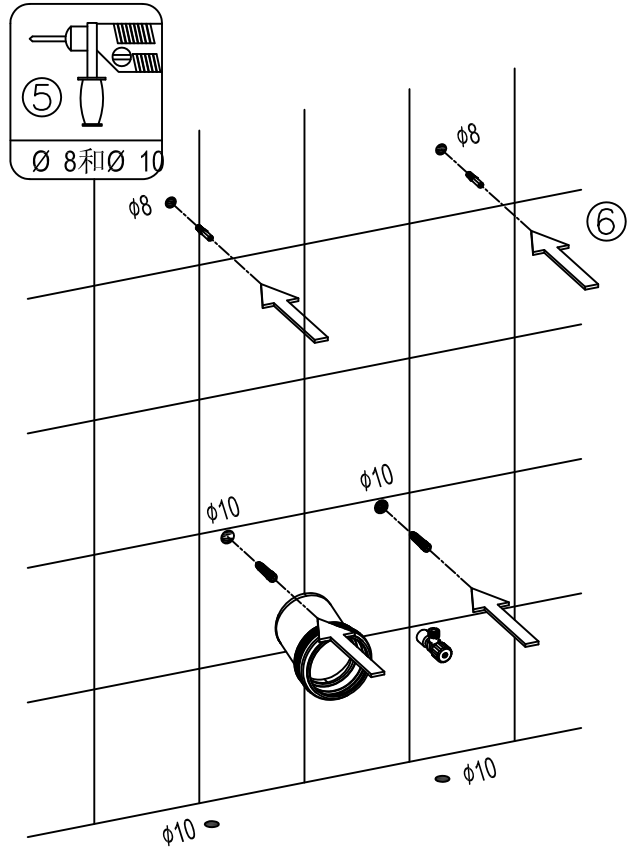




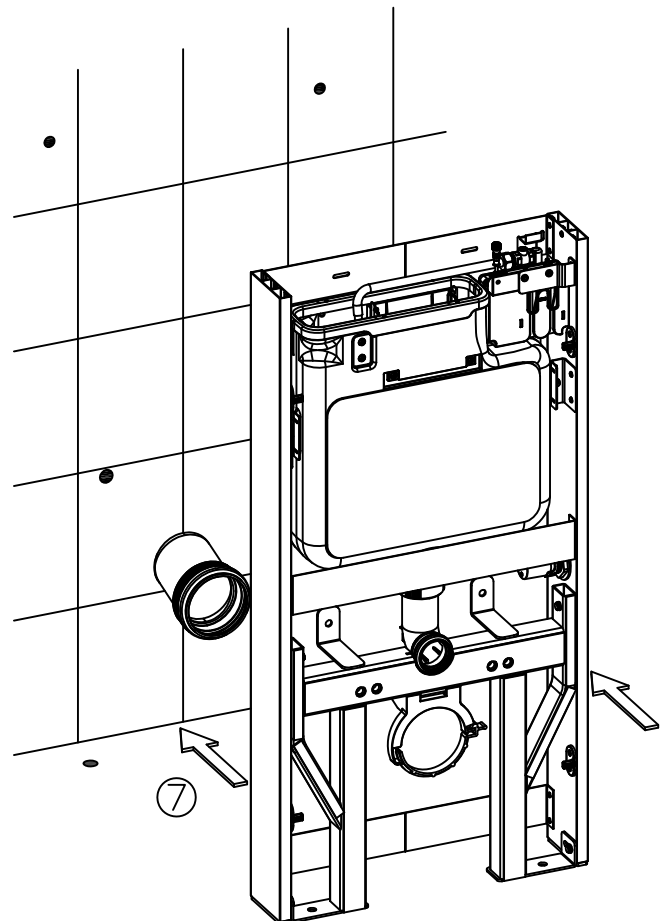
As shown at the arrow, mark 4 corresponding points on the wall, 2 points on the ground.



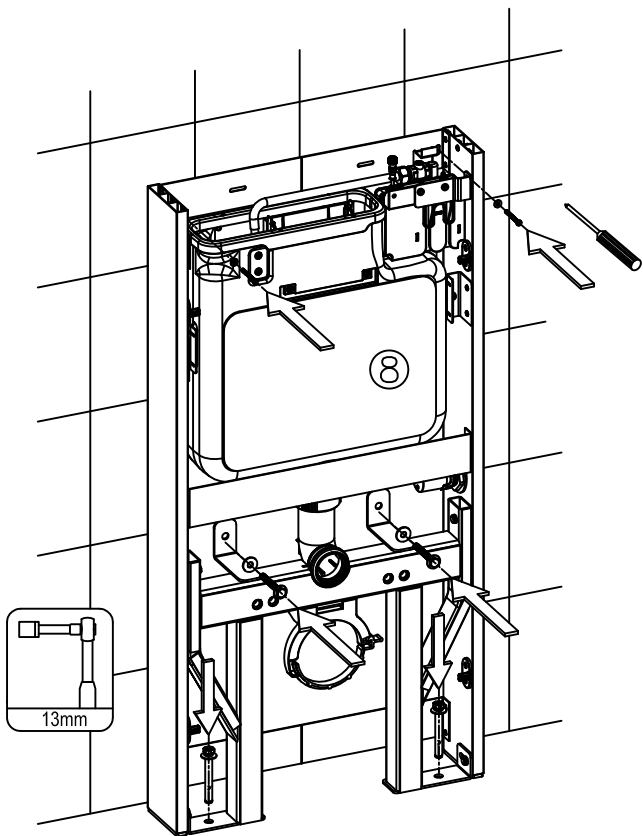
then move off cistern frame first



Drilling on marked points (the holes depth must be longer than the expansion nuts length, and the holes diameter is shown above), insert the expansion nuts into the corresponding holes

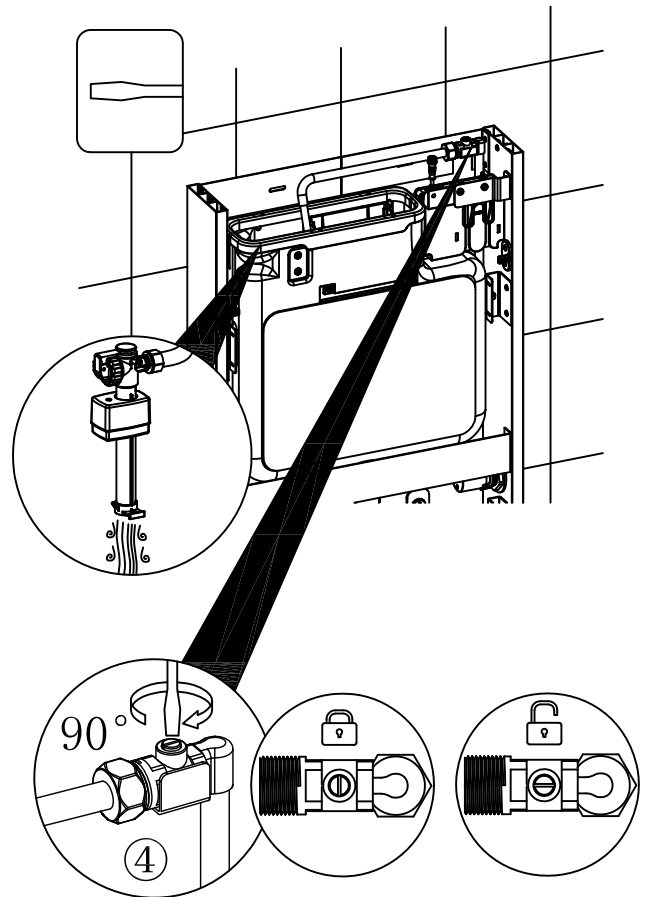


Align the cistern frame with the holes

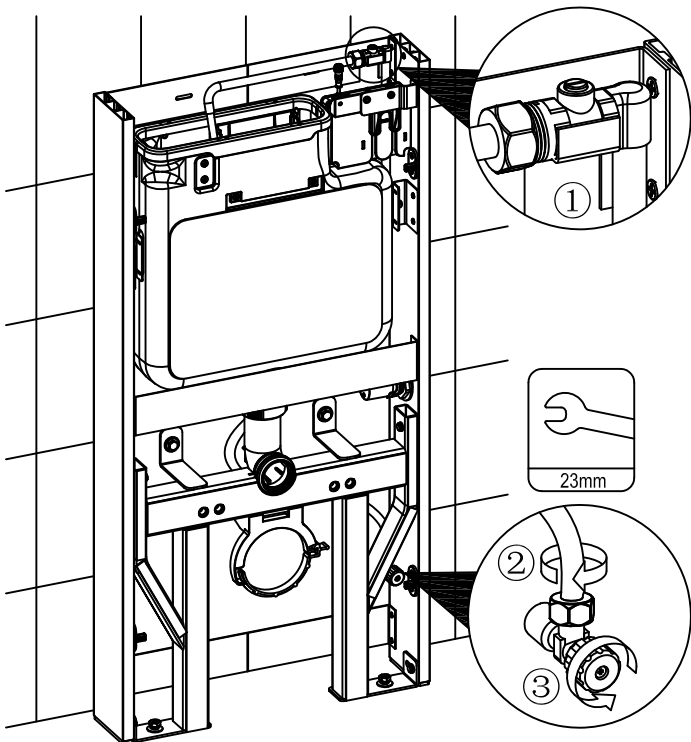


Fix the corresponding screws into the expansion nuts on the wall, and screw the steel bolts into the ground as well

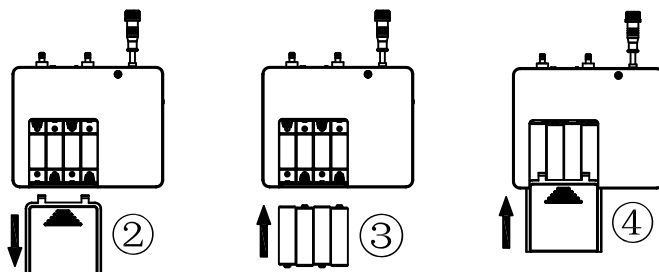
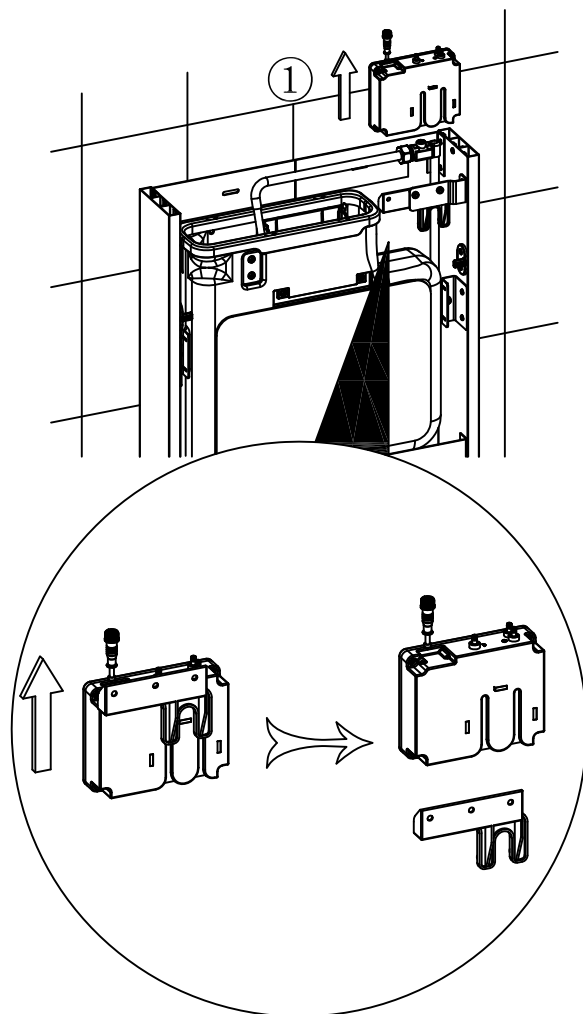
4



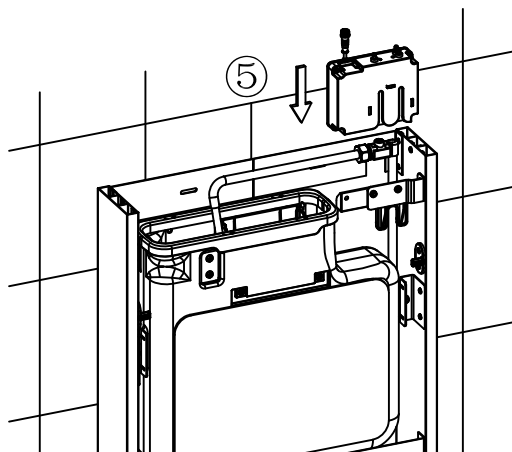
Open the valve on flexible hose, and observe whether water supply is normal and if there is any leaking on flexible and cistern.

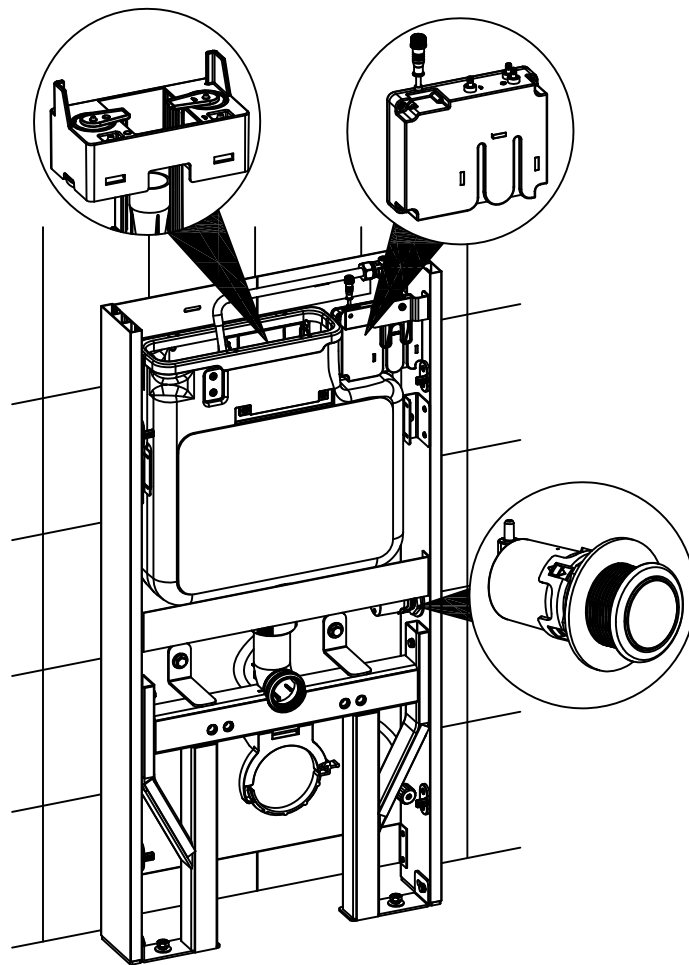


Buckle the flexible hose into the hook on back panel, and then connect the flexible hose to the stop valve

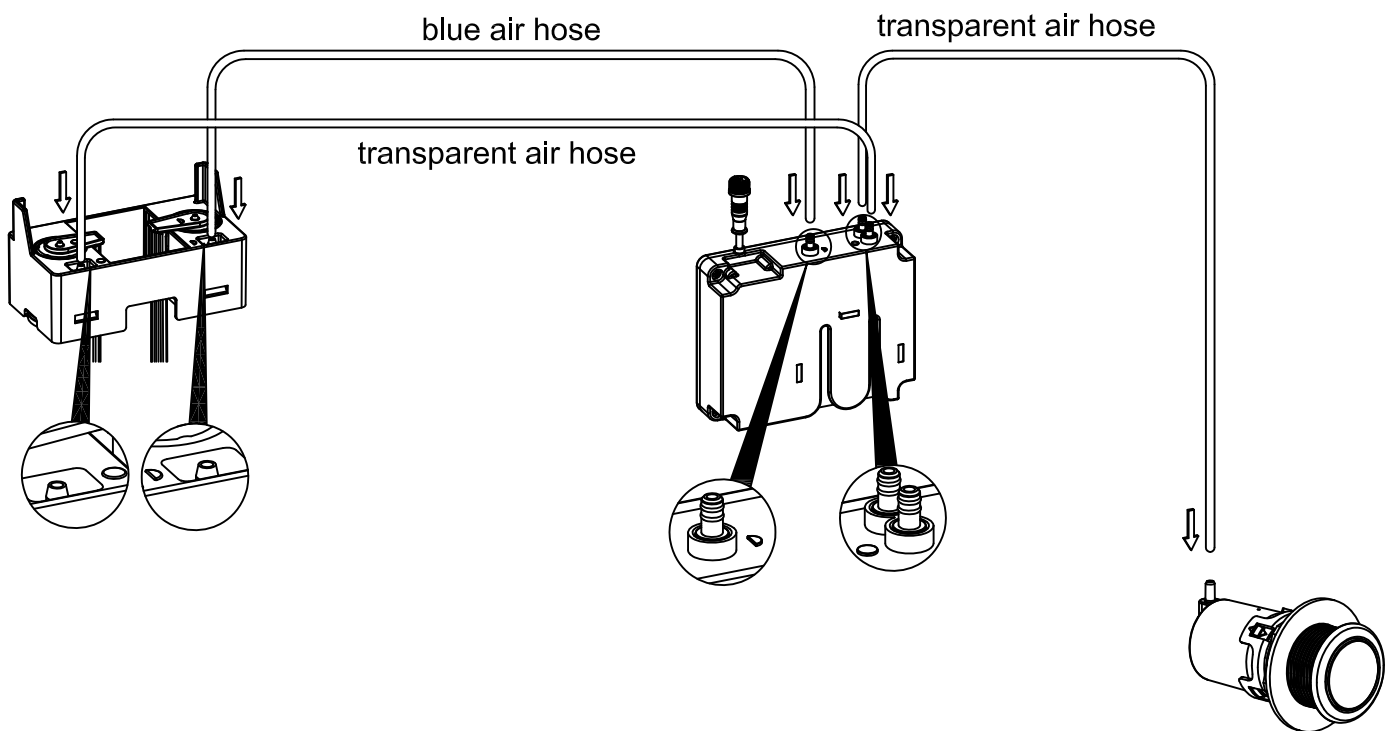


Attention: All batteries should be AAA alkaline batteries, and please do not mix old and new batteries when using.

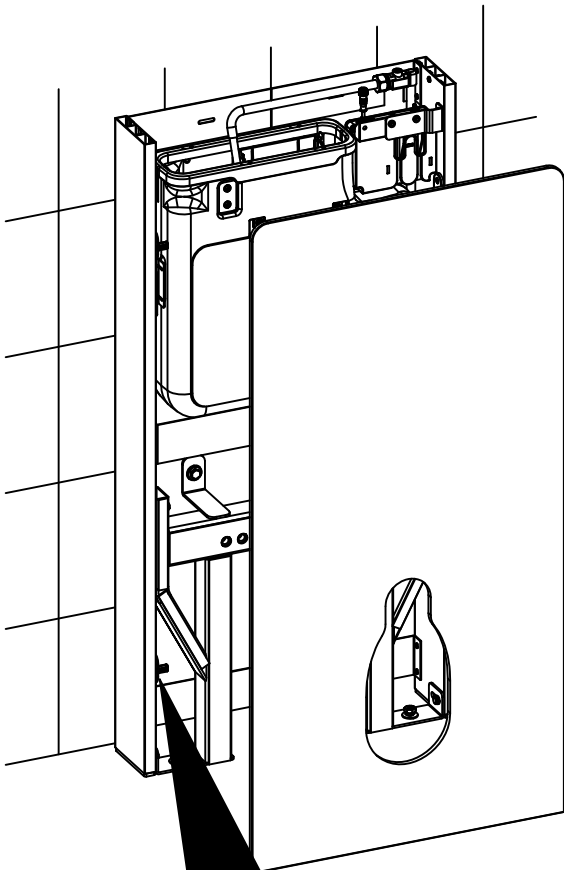




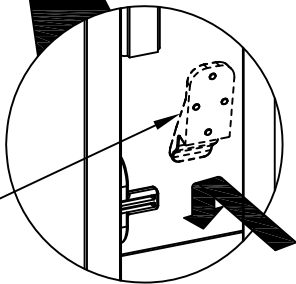
⑥



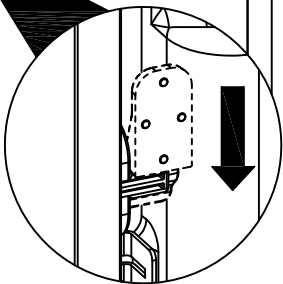
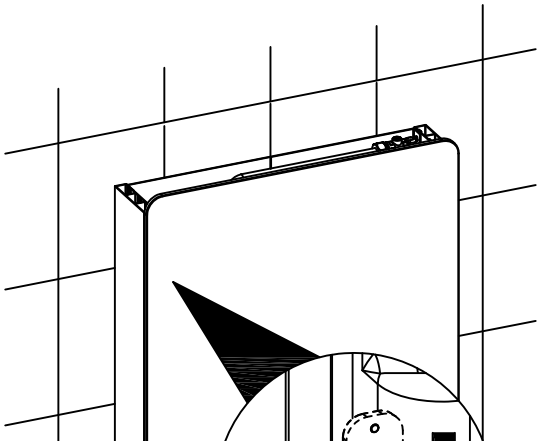
6



glass support
buckle stuck on
the glass(4pcs)

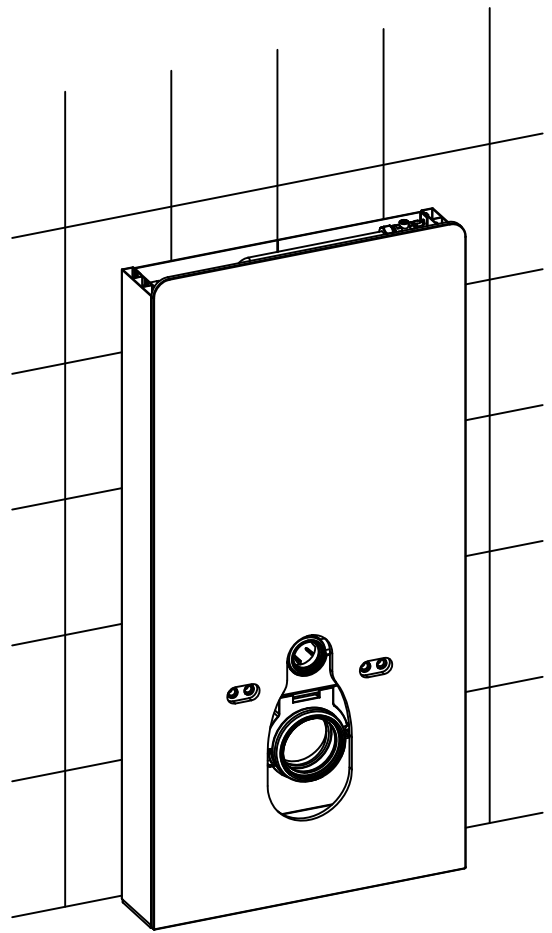


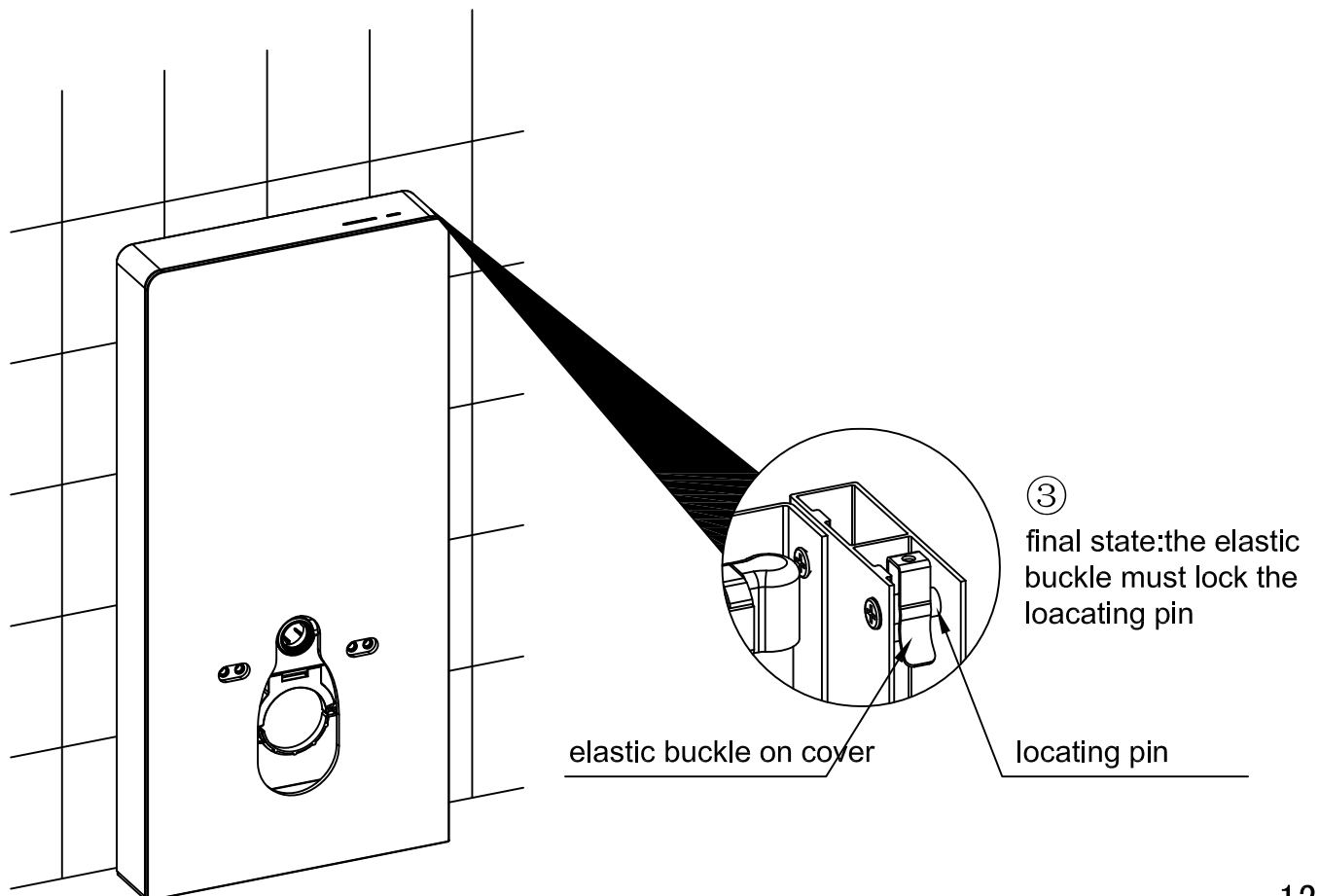
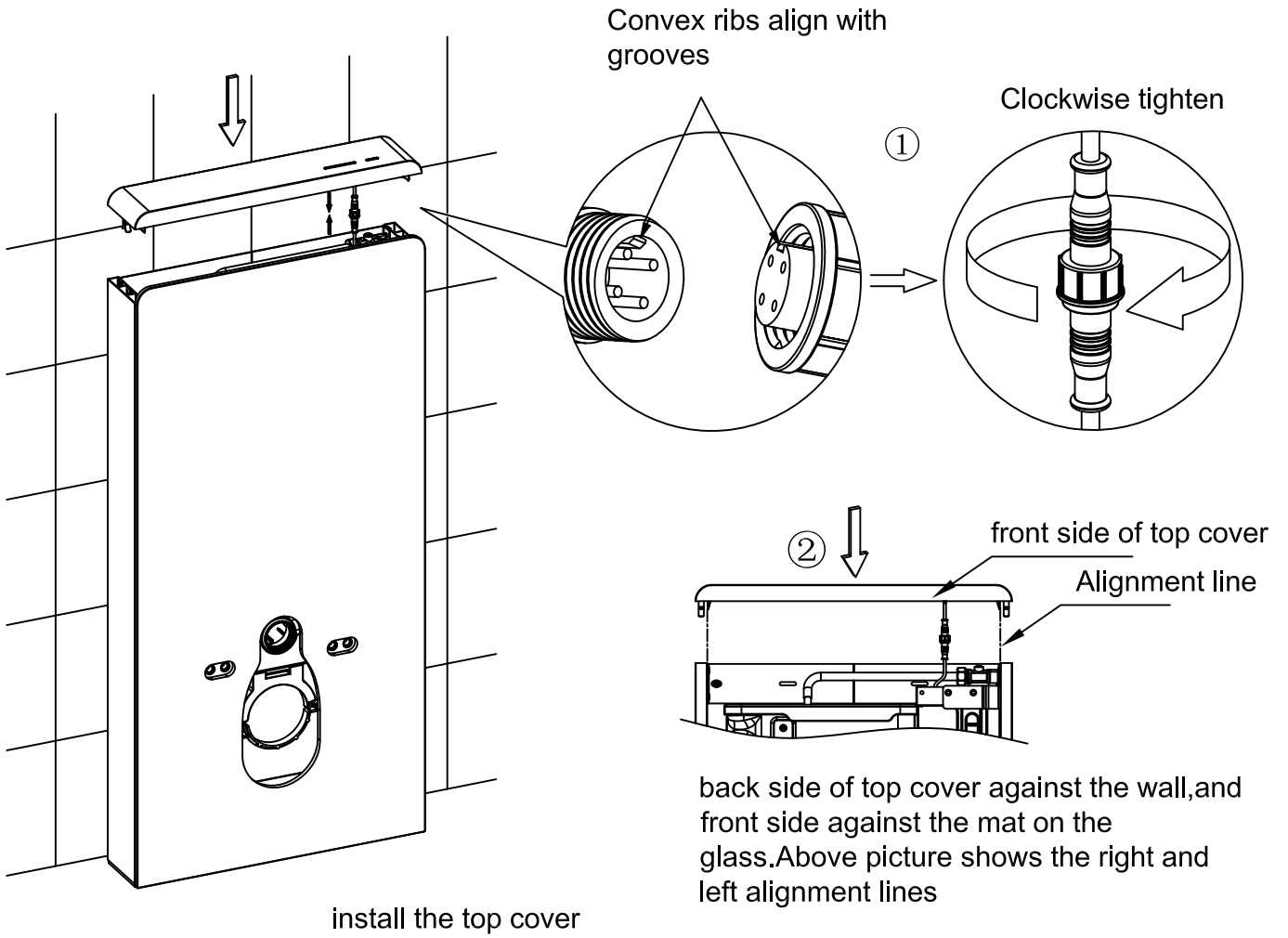
①

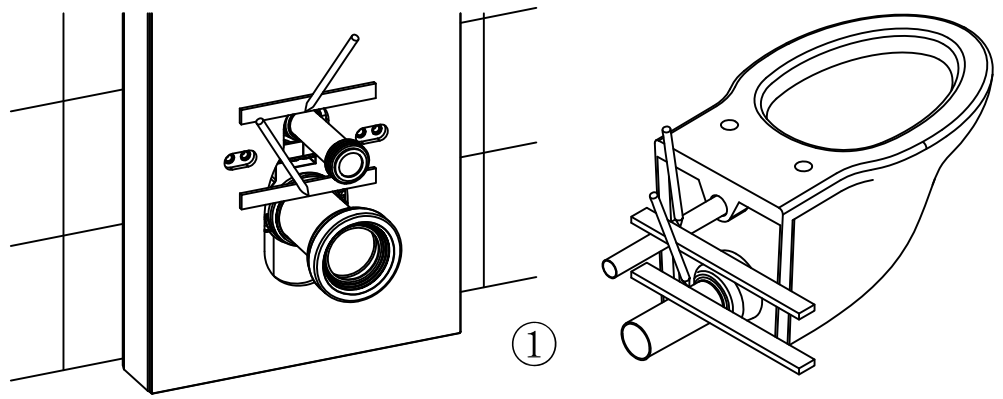
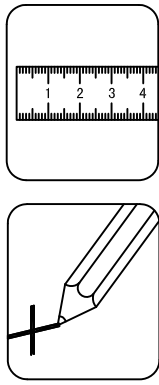


②

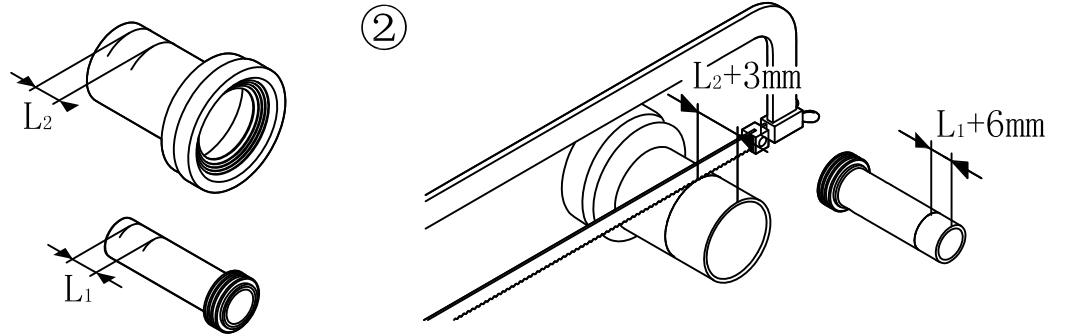
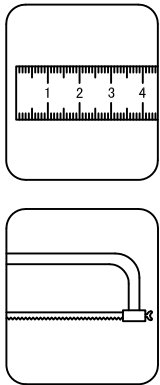
install the glass to the frame,and push the
glass support buckle until the glass is fixed.



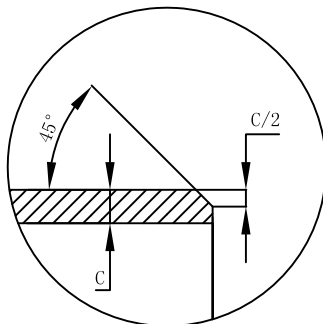
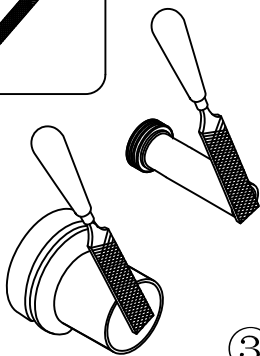




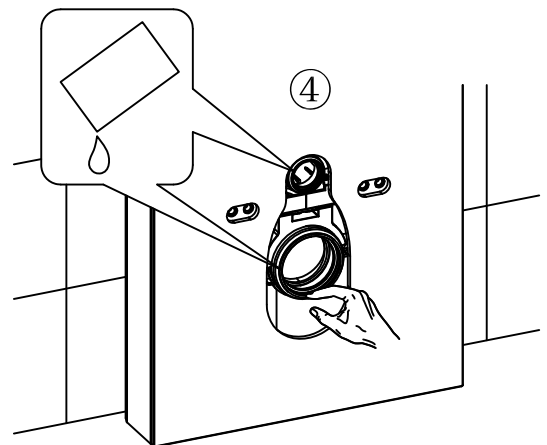
draw on the flush pipe and drainage pipe



cut the flush pipe and drainage pipe

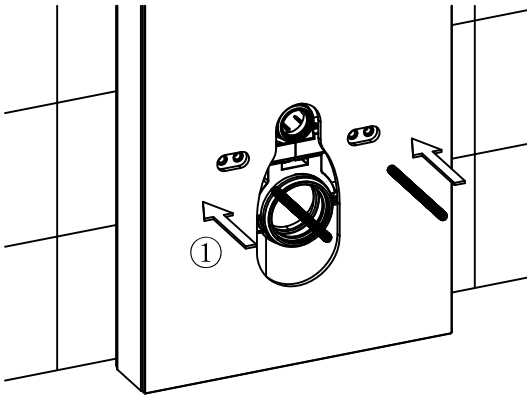
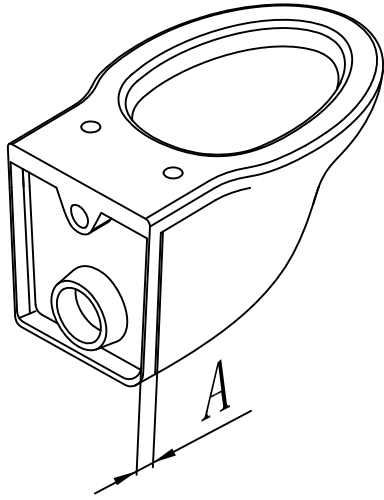


burnish a chamfer on the head face of flush pipe and drainage pipe

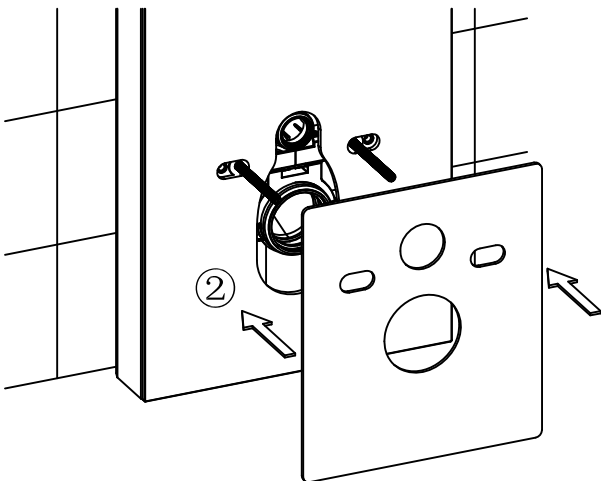
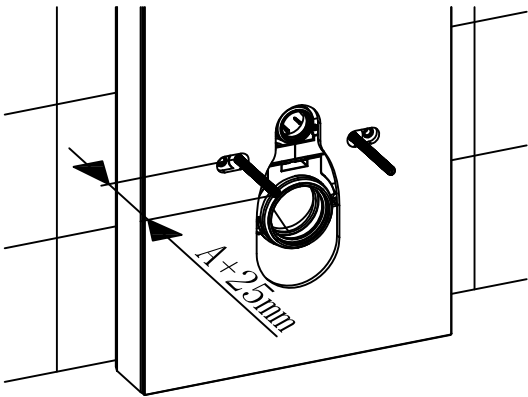


apply silicon oil

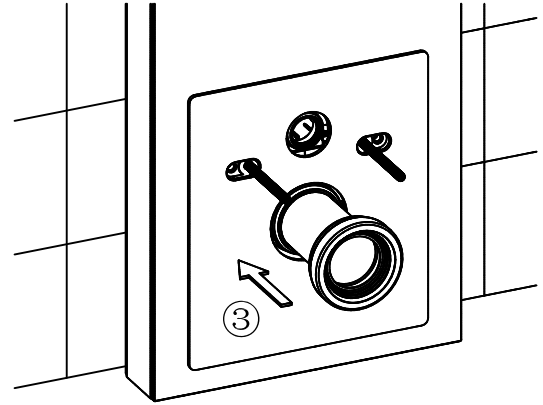
9



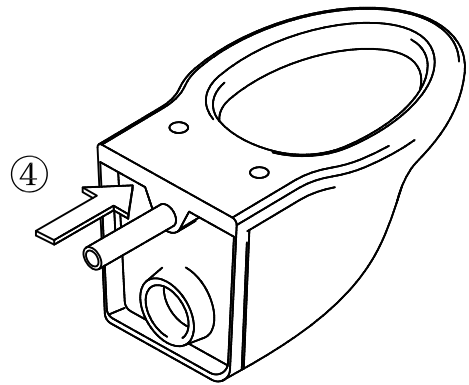
screw the bolts into the cistern frame



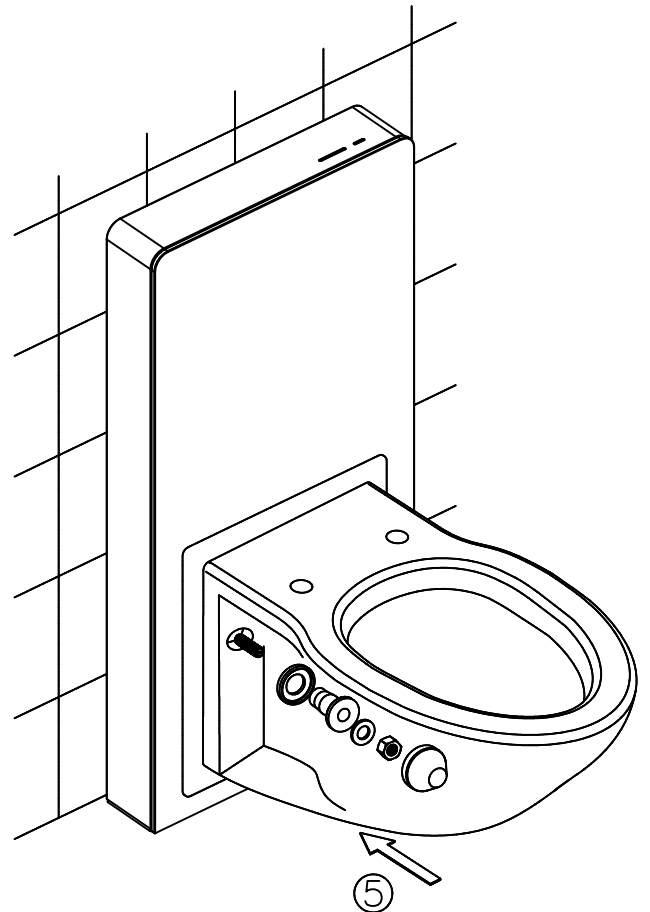
install toilet mat



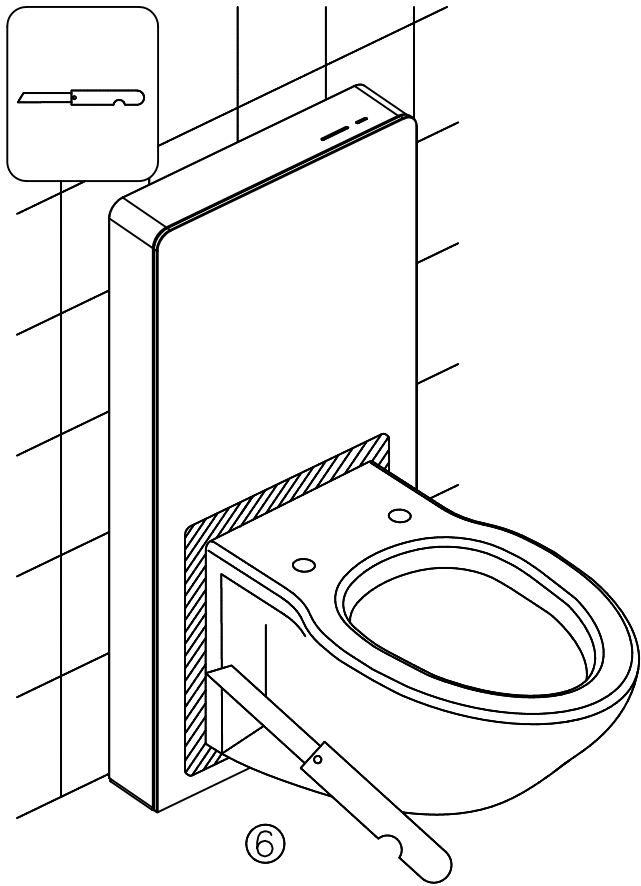
install the flush pipe onto the cistern



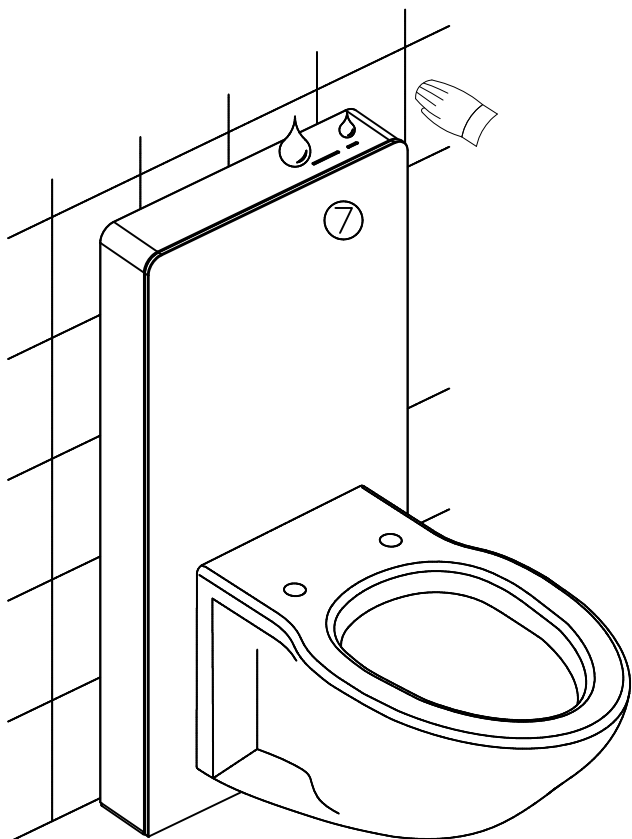
install the flush pipe onto the toilet.



install toilet



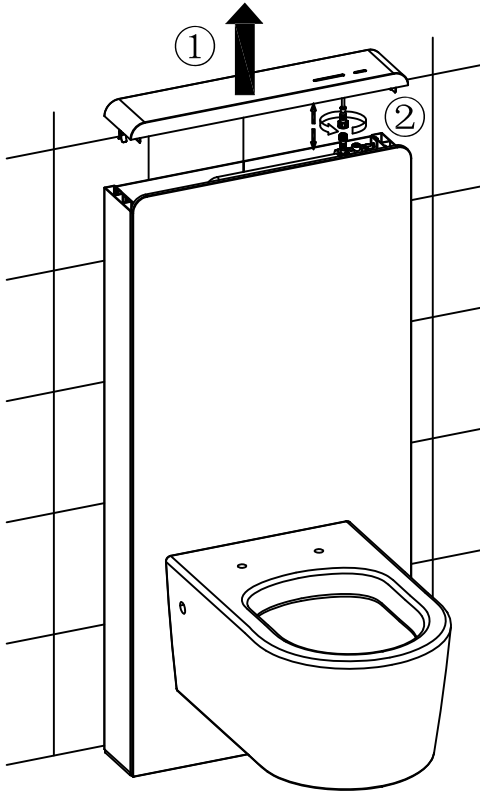
cut off extra part of the toilet mat



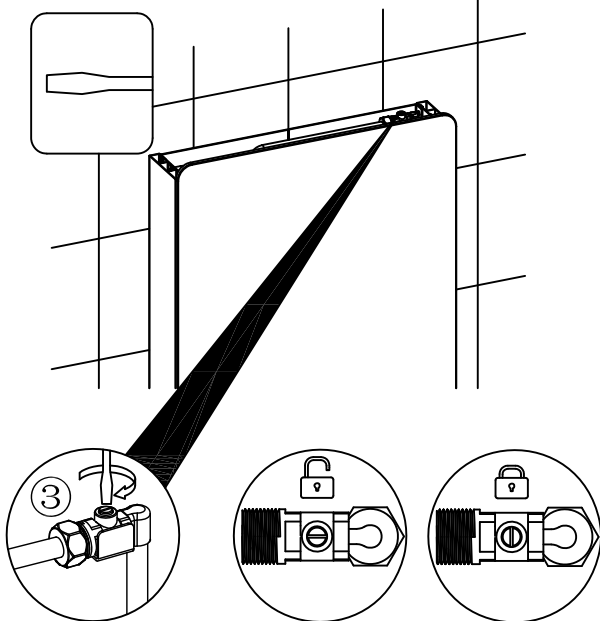
Effective range of the sensor: within 50mm above the surface of induction area .
Wave hand above the induction area to test the functions of full flush and half flush.

Maintenance & daily care

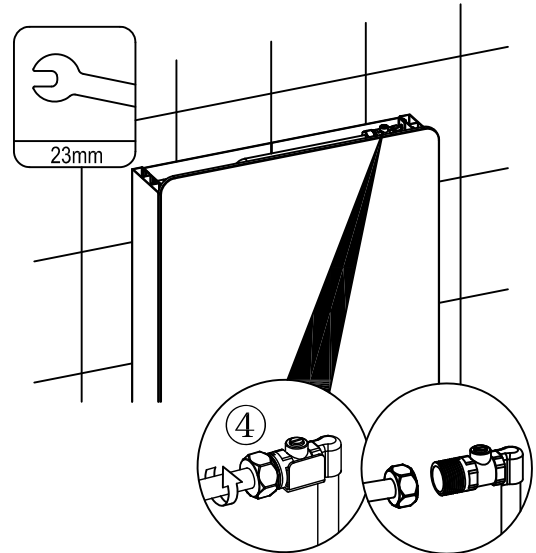
1.1 inlet valve removal



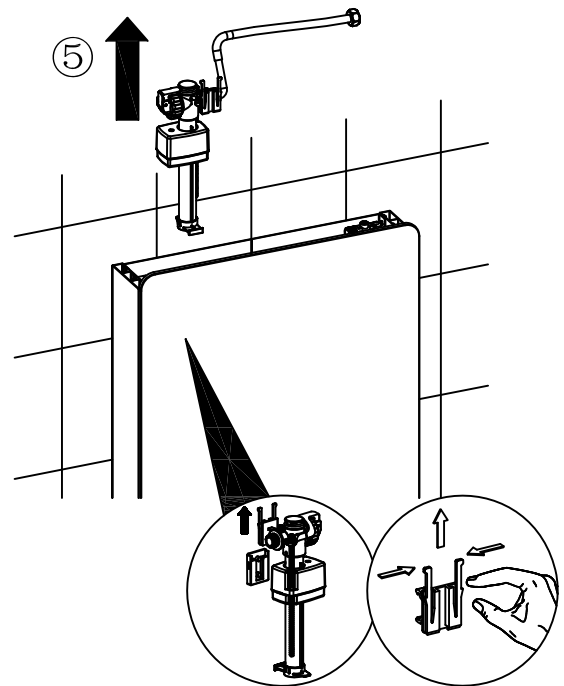
Remove the top cover, and then unlock the male and female plug



turn off the stop valve on the flexible hose

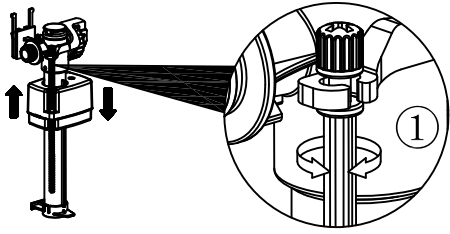


disconnect hose and the valve

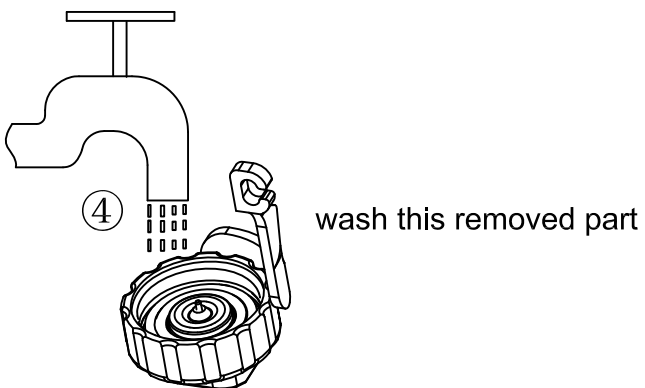
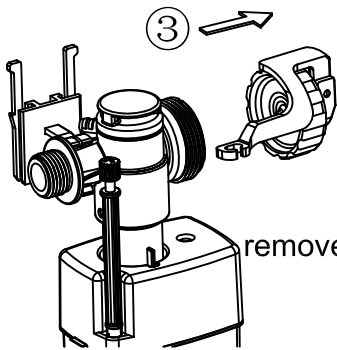
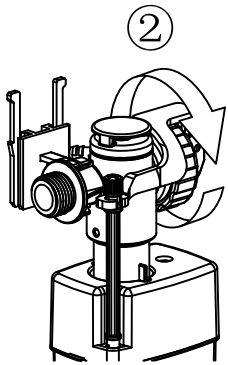


take off the inlet valve upwards

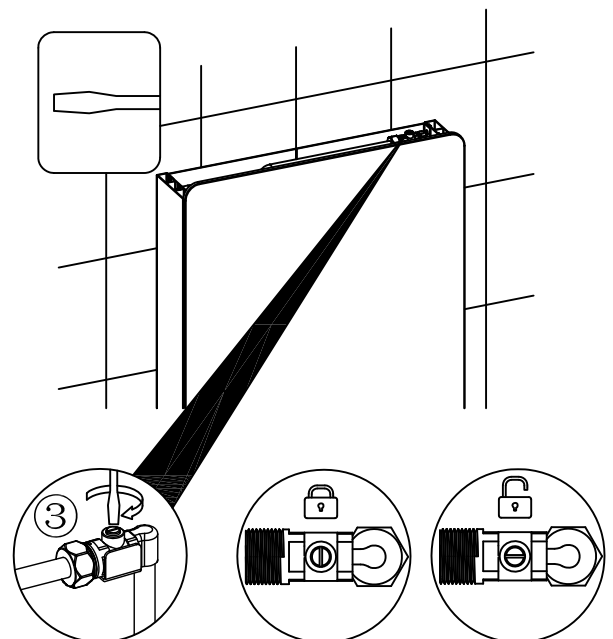
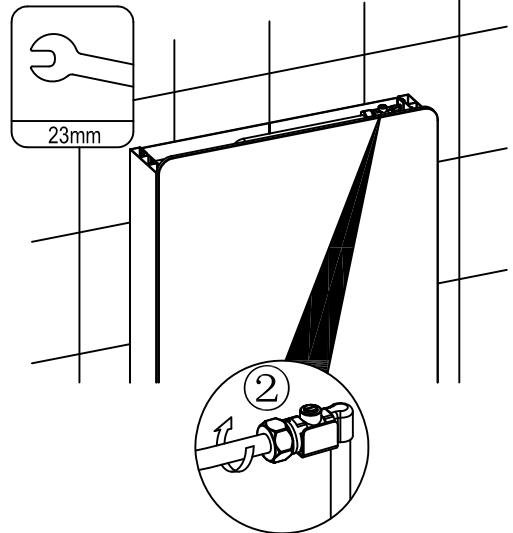
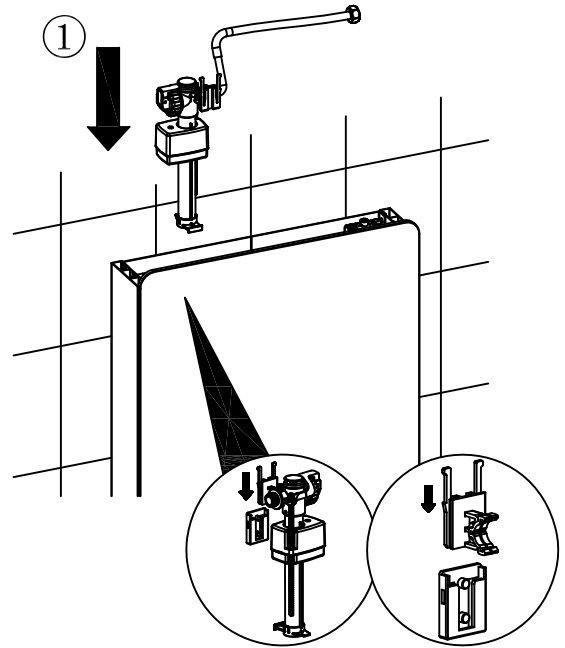
1.2 inlet valve adjustment & clean



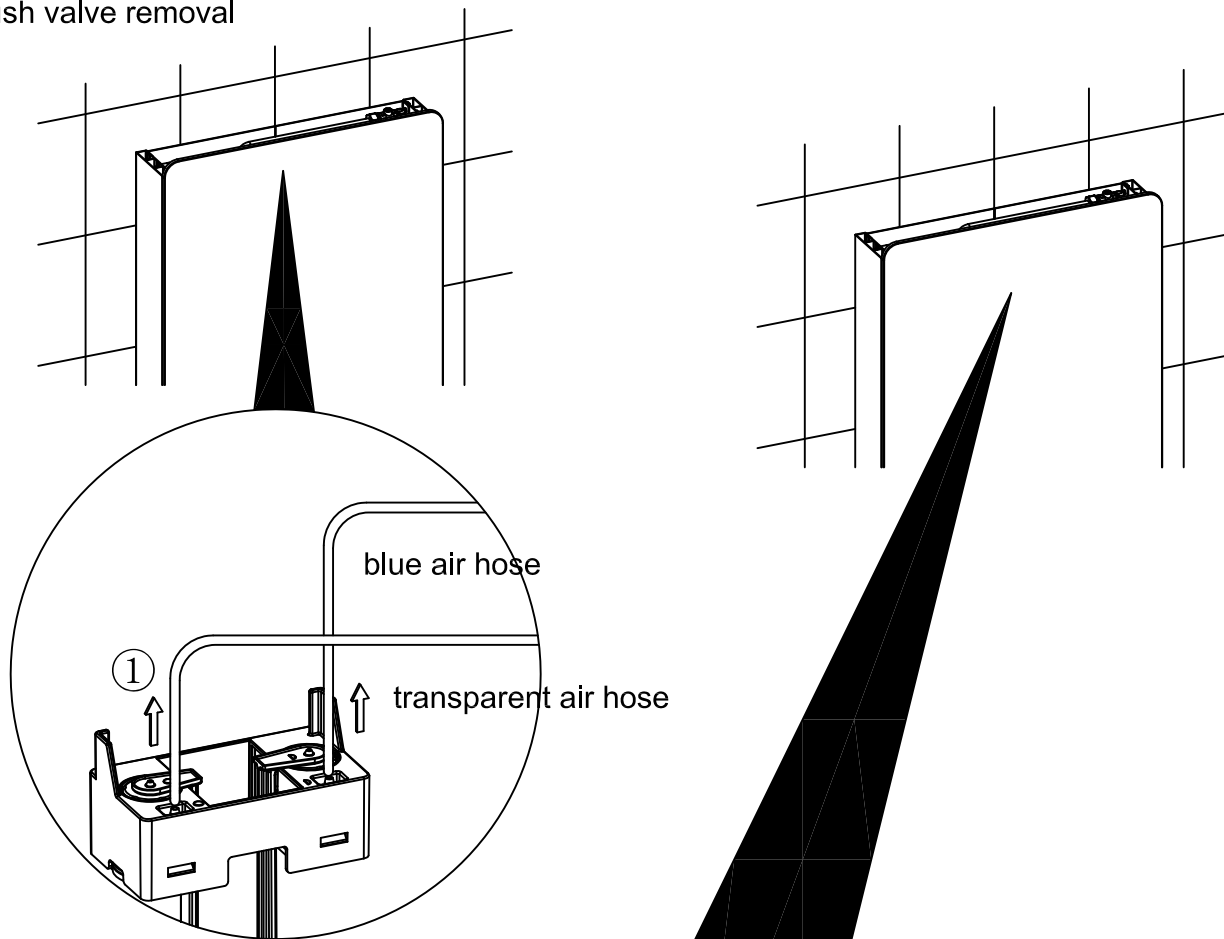
adjust the float upwards to increase the inlet volume; or downwards to reduce the volume



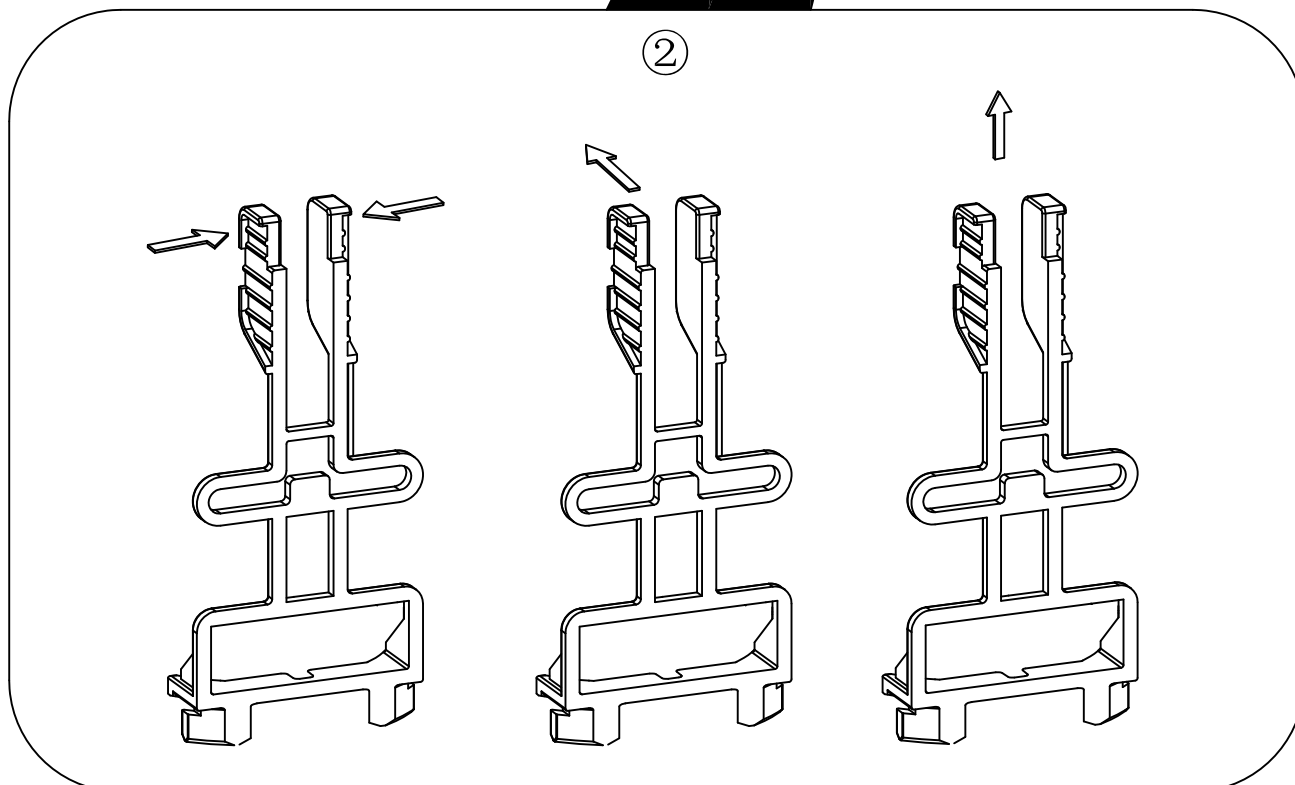
1.3 inlet valve installation



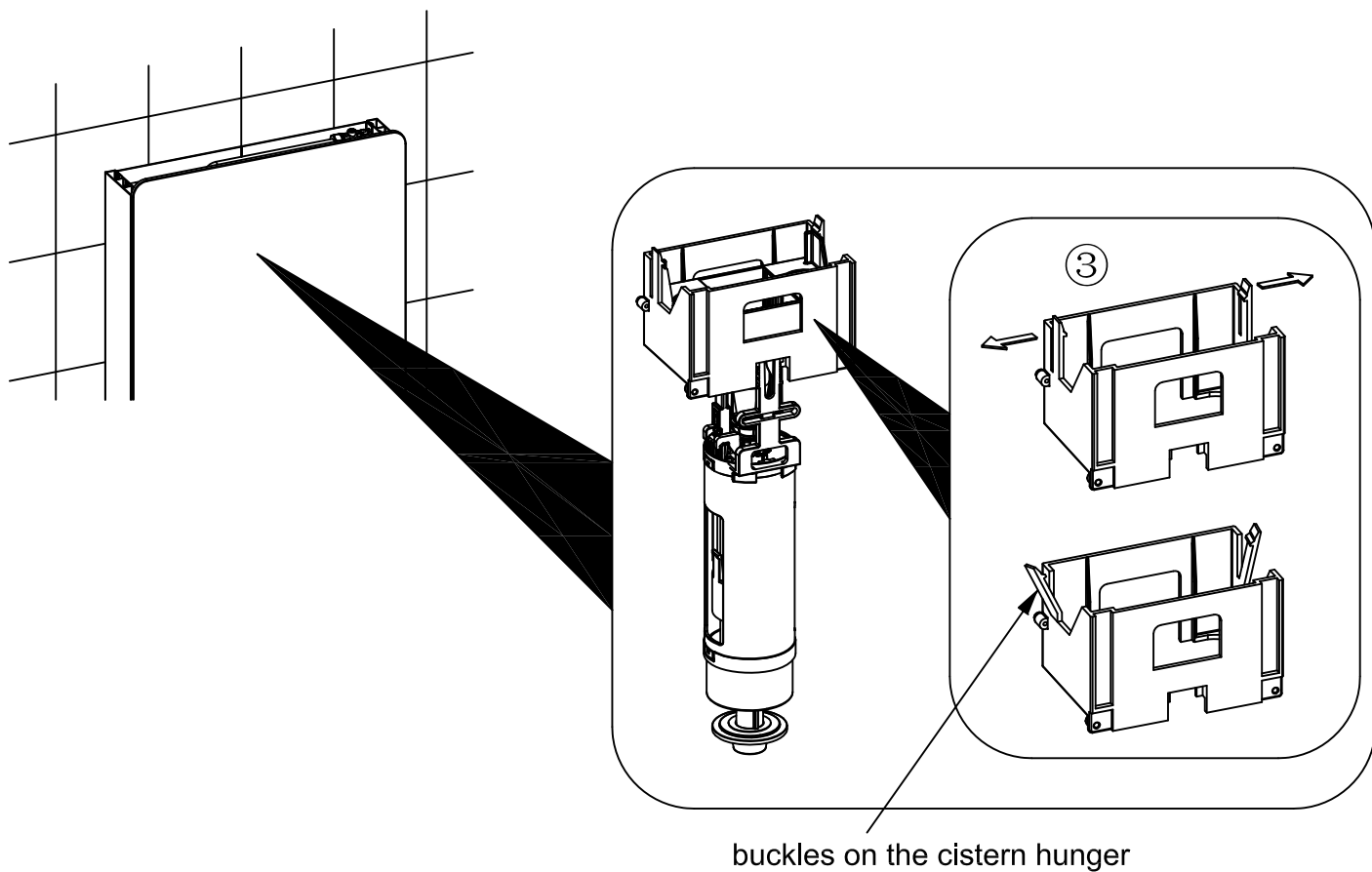
2.1 flush valve removal



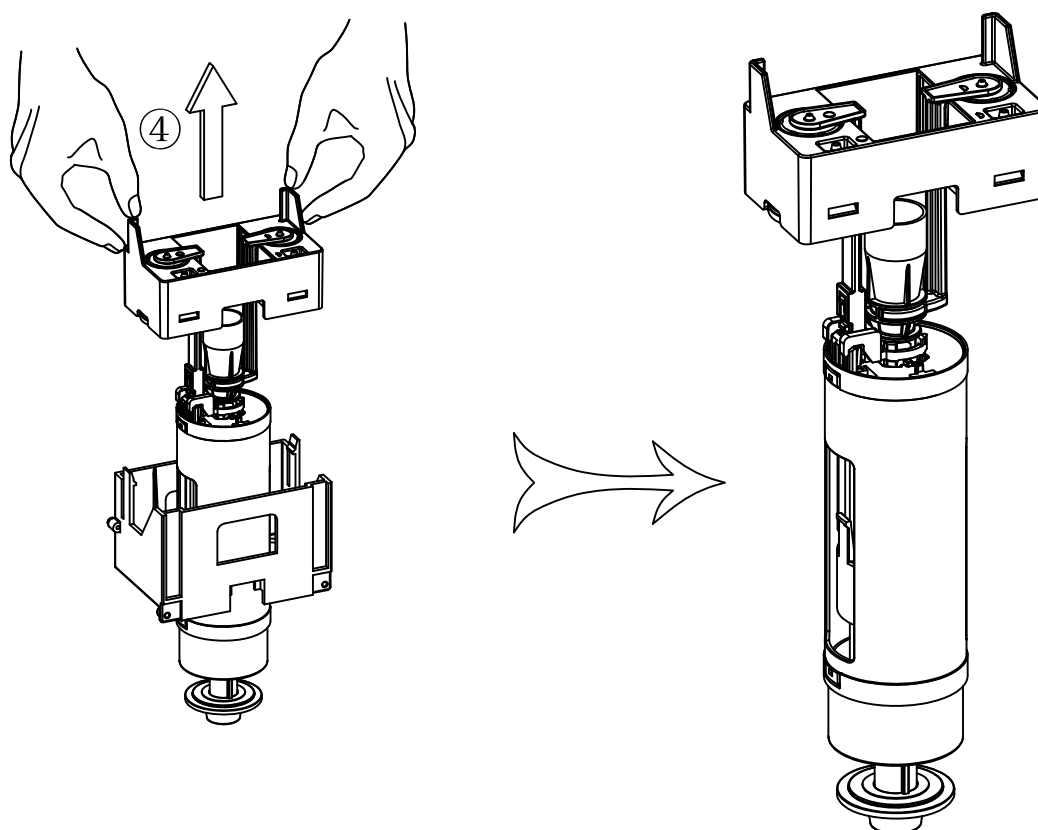
un-connect the air hoses from the
air hose holes



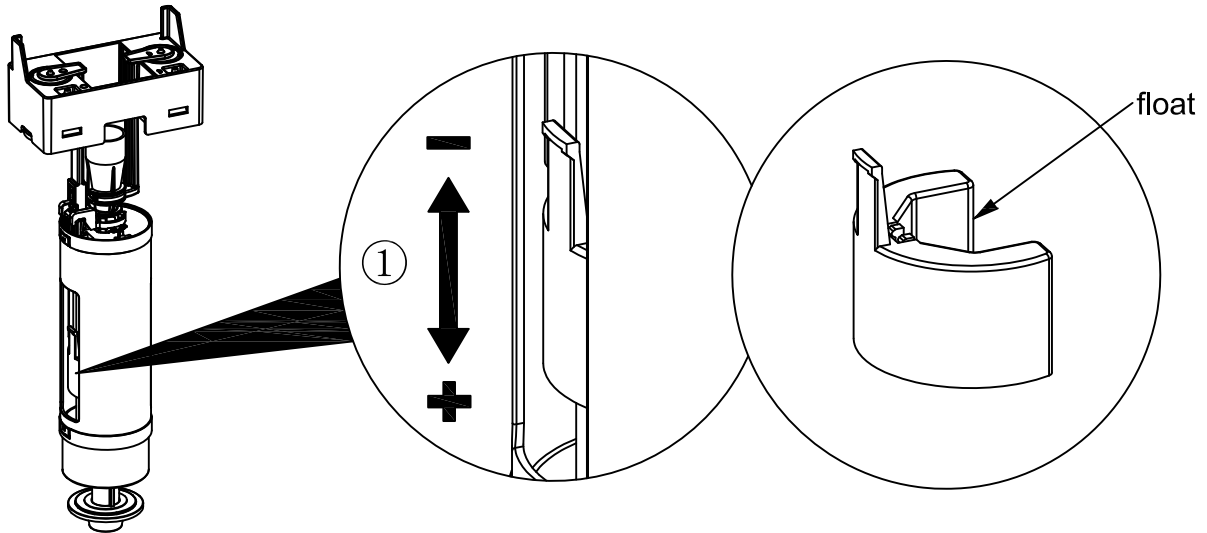
remove the lever



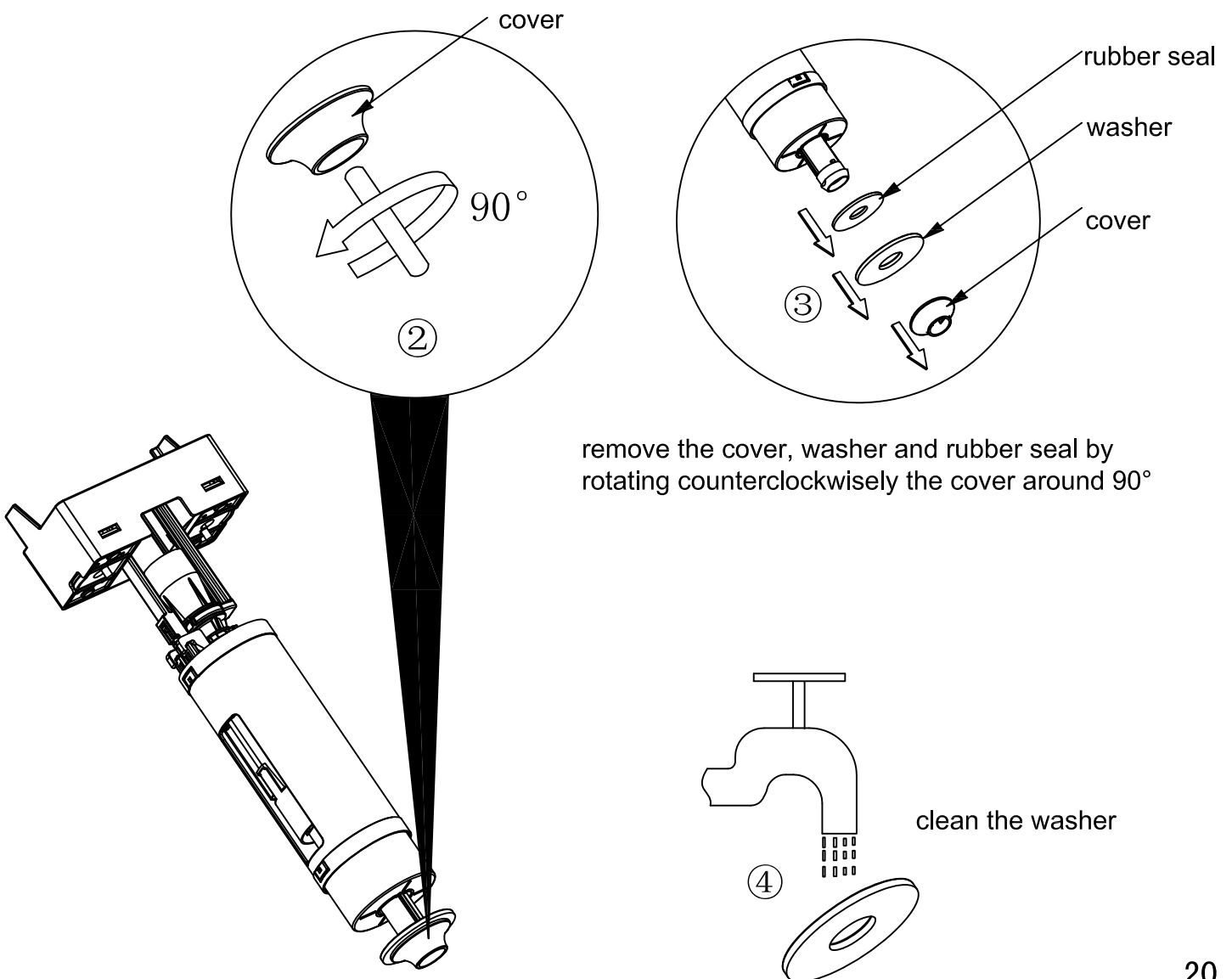
lift upwards the flush valve after opening the buckles on the cistern hunger



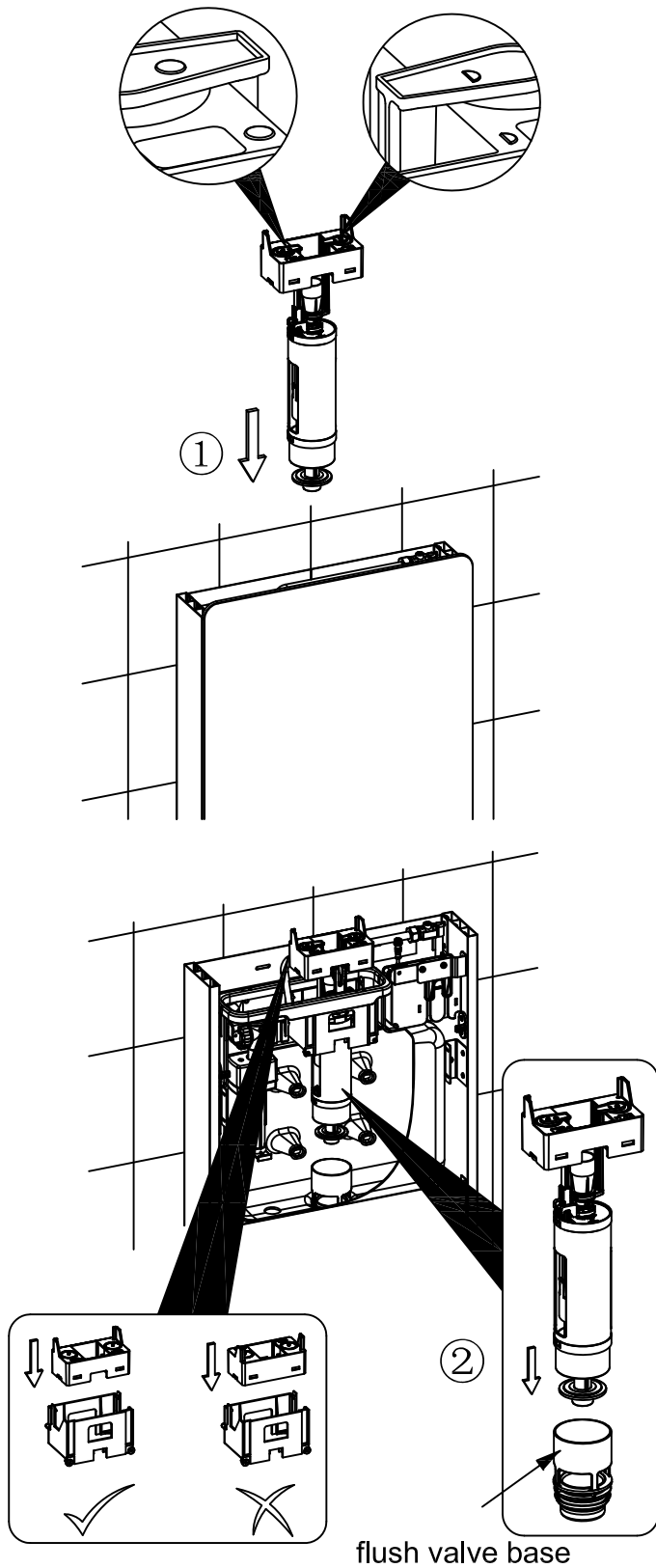
2.2 flush valve adjustment & clean



adjust the float upwards to reduce the flush volume;
or downwards to increase the volume



2.3 flush valve installation



install the flush valve downwards into the cistern body (Mark: make sure the flush valve bottom is aligned with flush valve base. And please make sure flush valve is installed in the shown direction during installation.)

